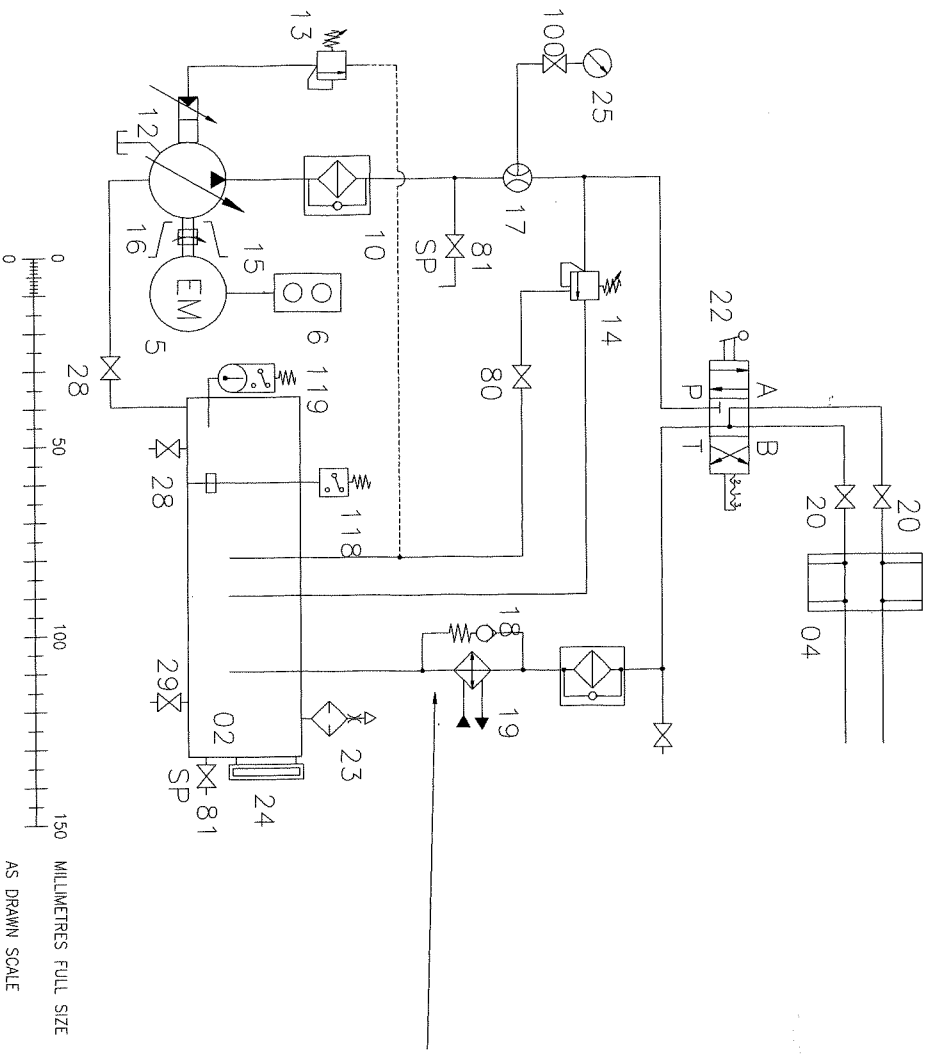


SERVICE DRG. NO.  
A004-2452-008

USED ON



0 50 100 150 MILLIMETRES FULL SIZE  
AS DRAWN SCALE

HYD PUMP  
DYNEX PV2024-3088  
DISP/REV 39 CC  
PRESSURE 3000PSI

50HZ SUPPLY - 1460 RPM  
MAX FLOW AT 3000 PSI - 56.94 LPM-0 REV

60HZ SUPPLY - 1750 RPM  
MAX FLOW AT 3000 PSI - 68.25 LPM-0 REV

MAX INLET PRESS. 600 PSI  
MAXIMUM FLOW  
120 LPM - FRESH WATER  
90 LPM - SALT WATER

NOTE:- WATER PRESSURE MUST ALWAYS BE LOWER THAN OIL PRESSURE

DRAWN BY	KGH	07/07/05
CHECKED		
CERTIFIED		
NAME		DATE

THIS DRAWING HAS BEEN PRODUCED USING CAD. NO MODIFICATIONS ARE TO BE UNDERTAKEN UNLESS ON CAD.

MATERIAL	
HEAT TREATMENT	
SURFACE HARDNESS	
MATERIAL TEST	
PROTECTIVE FINISH	
HYDRAULIC TEST PROCEDURE	
CLEANLINESS SPECIFICATION	
QUALITY ASSURANCE GRADE	
PATTERN No	
ESTIMATED MASS	

SCALE	AS SHOWN
ALL THREADS TO CONFORM WITH BS SPECIFICATIONS	
SURFACE TEXTURE IN MICROMETRES	EXCEPT AS STATED

TITLE	HYDRAULIC SCHEMATIC LP FLUSHING RIG
CONTRACTOR	MACSCOTT BOND LTD.
PO BOX 1, HUNTER AVENUE, LOANHEAD, MIDLOTHIAN EH20 9SP	

RESPONSIBLE AUTHORITY	
SECURITY CLASSIFICATION	
CONTRACTORS DRG. NO.	2452-015
SERVICE DRG. NO.	A004-2452-008
TYPE	
SHEET No	00100
ISSUE	

ADD ITEMS	118 & 119	03	28/11/06	KGH
REMOVE PIPE SIZES		02	30/08/05	KGH
CHANGE		01	07/07/05	

1	2	3	4	5	6	7	8	9	10	11
34	40	45	50	53	60	70	78	79		