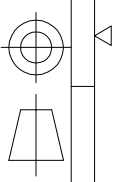


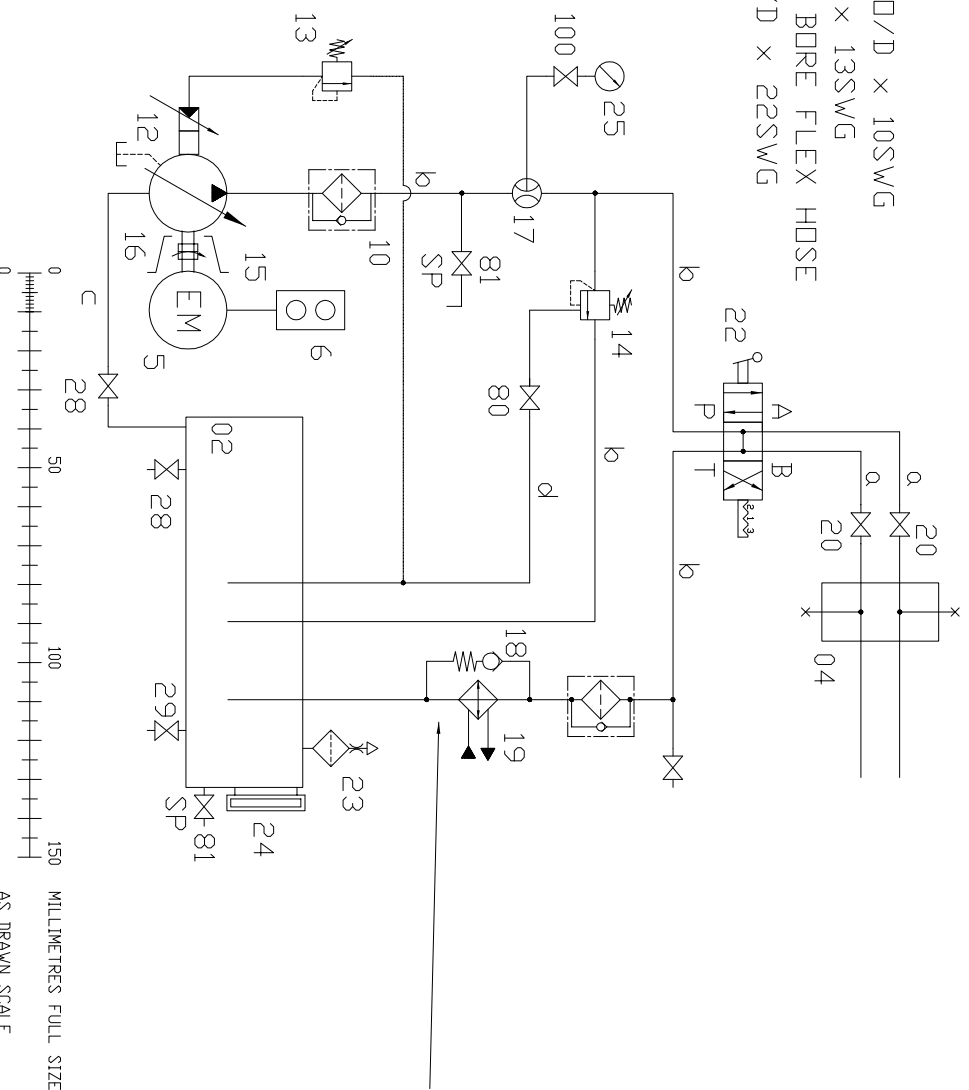
SERVICE DRG. NO.
A004-2450-008

3RD ANGLE PROJECTION



ALL DIMENSIONS IN TOLERANCES EXCEPT AS STATED

- a) 1-1/4" O/D x 10S WG
- b) 1" O/D x 13S WG
- c) 2" NOM BORE FLEX HOSE
- d) 1/4" O/D x 22S WG



HYD PUMP
 DYNEX PV2032-3151
 DISP/REV 51.5 CC
 PRESSURE 3000PSI
 50HZ SUPPLY - 1460 RPM
 MAX FLOW AT 3000 PSI - 77.25 LPM-0 REV 2.4
 60HZ SUPPLY - 1750 RPM
 MAX FLOW AT 3000 PSI - 92.7 LPM-0 REV 2.0
 MAX INLET PRESS. 600 PSI
 MAXIMUM FLOW
 120 LPM - FRESH WATER
 90 LPM - SALT WATER
 NOTE:- WATER PRESSURE MUST ALWAYS BE LOWER THAN OIL PRESSURE

DRAWN BY	HJ	04/09/03
CHECKED		
CERTIFIED		
	NAME	DATE

THIS DRAWING HAS BEEN PRODUCED USING CAD. NO MODIFICATIONS ARE TO BE UNDERTAKEN UNLESS ON CAD.

0 50 100 150 MILLIMETRES FULL SIZE
AS DRAWN SCALE

REMOVE PRESSURE CARRY OVER FROM VALVE	02	15/11/04	KGH
CHANGE	01	04/09/03	

MATERIAL	HEAT TREATMENT	SURFACE HARDNESS	MATERIAL TEST	PROTECTIVE FINISH	HYDRAULIC TEST PROCEDURE	CLEANLINESS SPECIFICATION	QUALITY ASSURANCE GRADE	PATTERN NO	ESTIMATED MASS
SCALE	AS SHOWN	ALL THREADS TO CONFORM WITH BS SPECIFICATIONS		SURFACE TEXTURE IN MICROMETRES EXCEPT AS STATED		TITLE HYDRAULIC SCHEMATIC 100 L/M FLUSHING RIG CONTRACTOR NSN MACSCOTT BOND LTD. PD BOX 1,HUNTER AVENUE,LDANHEAD,MIDDLETHIAN EH20 9SP			
RESPONSIBLE AUTHORITY	SECURITY CLASSIFICATION	CONTRACTORS DRG. NO.		SERVICE DRG. NO.		SHEET NO 1 SHEET NO 1 DR 1			
CHANGE	ISSUE	DATE	MOD	CHECKED	SERVICE DRAWING No TYPE SHEET No ISSUE				

S	C	R/A	DRG No	ORIGIN
1	2	3	5	7

1	2	3	5	7	10	25	28	31	1	1	1
---	---	---	---	---	----	----	----	----	---	---	---